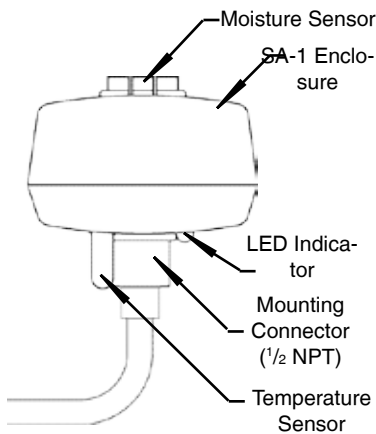


SA-1

Automatic Snow/Ice Melting Controller



Easy Heat's SA-1 is a sensible solution for economical and effective control for powering heating cables in snow and ice melting applications. Water resistant, the SA-1 operates when snow or freezing rain conditions exist, and can regulate cable operation in sidewalks, driveways, parking garage entrances or drive-through areas — in both residential and commercial settings.

The SA-1's use of microcontroller technology can reduce power consumption by energizing your cables when the right combination of temperature and moisture exist. The SA-1's sensors are able to detect these conditions, and through a power relay, activate the cable when necessary. This saves you money.

The SA-1's microcontroller technology also detects when the sensor surface is contaminated by environmental conditions. You get a clear indication that the sensor is dirty via an easy to see LED.

Easy Heat Item #	Description	Ctn Qty	Ctn Wt	UPC
SA-1	120 VAC, 16 Amp max load, Cable Voltage Control	1		0-13627-09951-7

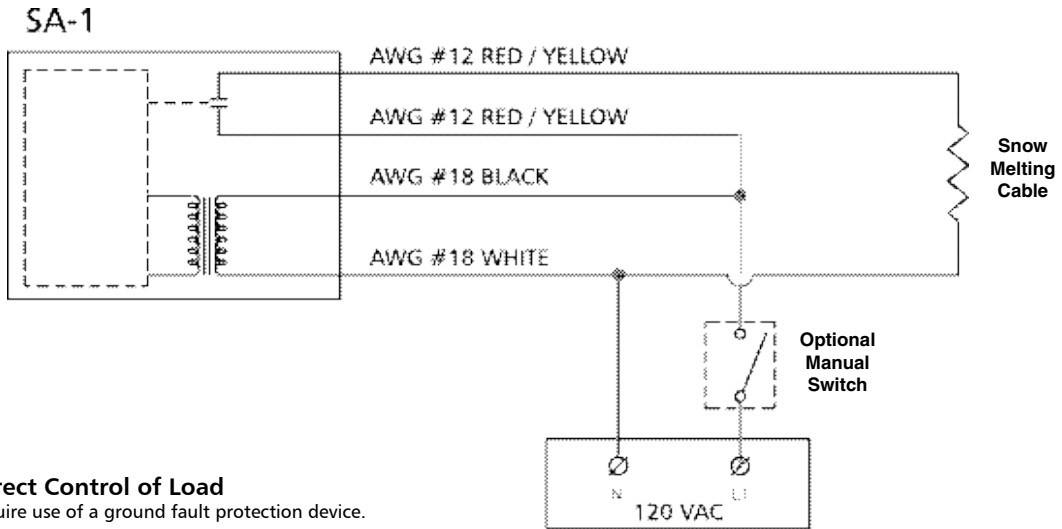


US T. (800) 537-4732 / F. (888) 324-2440
CAN T. (800) 794-3766 / F. (800) 361-4574



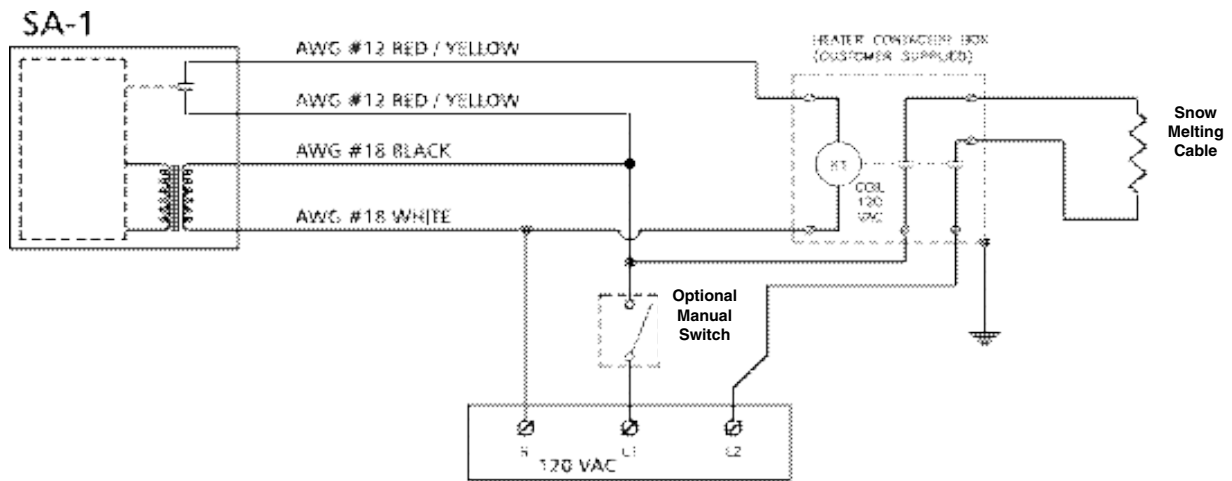
EMERSON
Industrial Automation

Easy to operate, with moisture and temperature sensors, we recommend that the SA-1 installation meet all electrical code requirements in your area.



Installation for Direct Control of Load

*Electrical code may require use of a ground fault protection device.



Installation for Contactor Controlled Load

*Electrical code may require use of a ground fault protection device.

Easy Heat products are provided with a limited warranty: see owner's manual or contact Easy Heat for complete terms and conditions.



US T. (800) 537-4732 / F. (888) 324-2440
CAN T. (800) 794-3766 / F. (800) 361-4574

